

Love how you work.®

Steelcase

Visit steelcase.com

Europe & Africa Espace Européen de l'Entreprise 1 allée d'Oslo BP 40033 Schiltigheim 67012 Strasbourg Cedex France
tel: +33 3 88 13 30 30 fax: +33 3 88 28 31 78

North America 901, 44th Street Grand Rapids MI 49508 USA
tel: +1 616 247 27 10 fax: +1 616 246 40 40

Asia Pacific & India 4th floor, N32 Kowa Bdg 5-2-32 Minami-Azabu Minato-Ku Tokyo 106-0047 Japan
tel: +81 3 3448 9611 fax: +81 3 3448 9617

Latin America 901, 44th Street Grand Rapids MI 49508 USA
tel: +1 616 247 27 10 fax: +1 616 246 40 40

Middle East Design House unit A2 PO Box 502596 Dubai Media City Dubai UAE
tel: +971 4 369 7838 fax: +971 4 369 7837

Product Design FlipTop Twin, 4.8 four point eight, Mobile Elements, H. System, Qivi **Stefan Brodbeck** – www.brodbeckdesign.de
Product Design cobì **Steelcase Design Studio in collaboration with Luke Pearson - PearsonLloyd**

DC150EN 12/11 © 2009 **Steelcase** All rights reserved. All specifications subject to change without notice.
Printed on at least 60% recycled paper. Cert no. BV-COC-858659. Printed in France by OTT Imprimeurs – Wasselonne.



FlipTop Twin Speed up configurations



Steelcase

Observations & Insights



Most meeting tables are not intuitive to set up and use.



Cable management in meeting rooms can be awkward and inadequate.

FlipTop Twin Speed up configurations

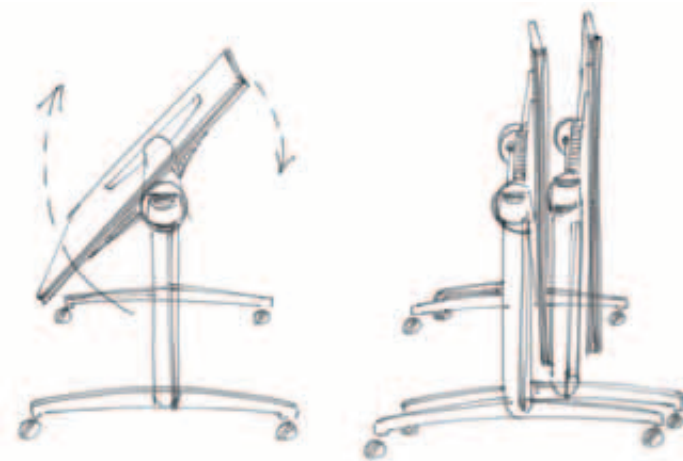
Intelligent products can significantly reduce the costs associated with conference rooms by increasing their rate of use.

Users need facilities to be flexible, they need to be able to **set up different configurations quickly and easily** and to handle speedy changeovers between training sessions, group meetings or conferencing.

FlipTop Twin has been specifically conceived for this purpose and offers a multiplicity of uses and simple mechanisms.

Why FlipTop Twin?

- 1 - Quick and easy installation
- 2 - Space efficiency
- 3 - Integrated cable management solution



Easy reconfiguration



Cutting costs is of paramount importance in today's tough economic climate. Organisations expect more from their floor space and need **meetings to be quick and efficient.**

Yet group work is dynamic and requires different settings and environments. Individuals may need to quickly transform a U-shape configuration into several blocks for small team work.

Space optimisation is made easy with FlipTop Twin tables and Pin Boards. Thanks to the intuitive folding mechanism, the FlipTop Twin tables are quickly installed and easily reconfigured by the users. The Pin Walls can be used as space dividers to create small group spaces.

Just install, use, reconfigure and fold away.

How it works



Space efficiency

Due to its flexibility and modularity FlipTop Twin guarantees efficient use of meeting space. Unused elements can be stored neatly to clear surface areas.



Quick and easy installation

FlipTop Twin is 100% symmetric. The top can be flipped to both sides either by hand or foot and it can be used from both sides. A tested safety mechanism ensures stability and is easily accessible from any angle.



PowerBox option

Comprises built-in housing, triple socket (UK double socket incl. fuse), power cable and connection cable.



Integrated cable management

Pre-assembled electrification allows quick installation and easy user access to power. Power connection between the tables can be installed simply.

Teaming in small groups

Having a dedicated team area in which people are located for the duration of a project, can double productivity according to research conducted by the University of Michigan.

Supporting collaboration for small groups is about creating spaces that:

- Are dedicated to impromptu meetings.
- Provide small areas where two or three people can gather close to their workstation.
- Use vertical surfaces to support a variety of media (digital and paper).
- Provide efficient technology so that anyone can project and share data equally.



C4492

FlipTop Twin tables, Pin-Board and cobo chairs

System overview

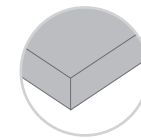
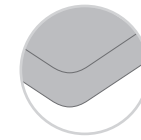
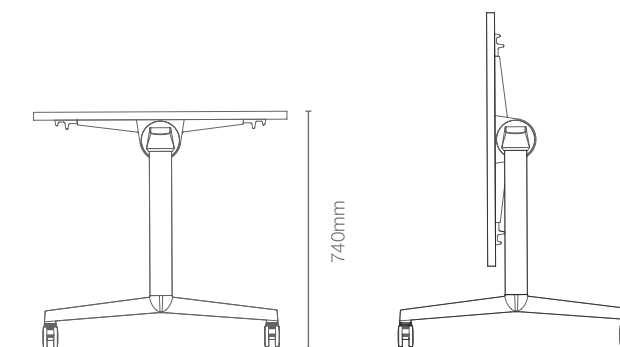


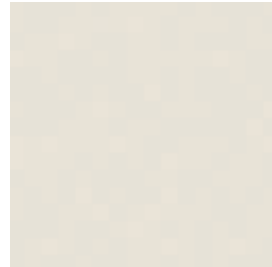
Table top shapes	Dimensions in mm	Corner Radius 3mm	Corner Radius 50mm	PowerBox (optional)
	W 1300 D 650	x	x	x
	W 1400 D 700	x	x	x
	W 1500 D 750	x	x	x
	W 1600 D 800 900	x	x	x
	W 1800 D 800 900	x	x	x
	W 2000 D 800 900	x	x	x
	W 1800 D 1000	x	-	-
	W 2000 D 1000	x	-	-
	ø 1600	x	x	-
	ø 1800	x	x	-
	90° / W 800 / 800	x	-	-
	165° / W 800 / 800	x	-	-

Dimensions



Selection of Finishes

Melamine



WY Snow



AT Acacia

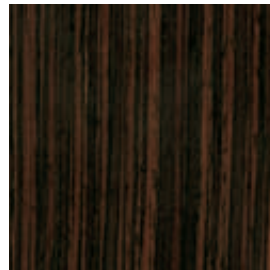


W5 Walnut

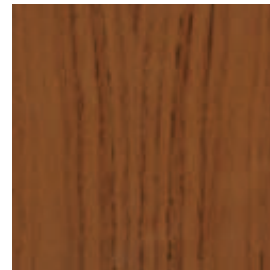
Veneer



ER Canadian Maple

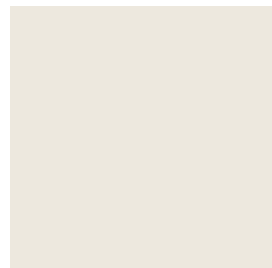


WE Wenge Style



NU American Walnut

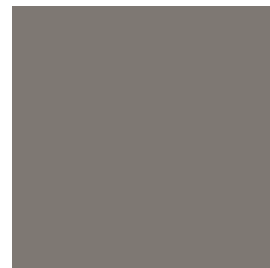
Paint



ZW Pearl Snow



ZX Pearl Grey



SL Silver

Colours not guaranteed – may vary in printing – other colours available.

FlipTop Twin environmental performance

Since 1912, Steelcase has been committed to continually reducing the environmental impacts of its products and activities on a global scale, by constantly seeking more effective ways to conserve resources, prevent pollution and nurture environmental consciousness in its people every day.

During FlipTop Twin development process we evaluated the environmental aspects of the products at each stage of its life cycle: materials extraction, production, transport, use and reuse, until the end of its life.

End of life

Up to **99%** recyclable by weight.

100% recyclable cardboard and LDPE film for packaging.

Plastic parts clearly labelled for easy sorting and effective recycling.

Use

Designed for a long product life.

Replaceable parts.

Transport

Manufactured close to customers, in Europe.

Minimised packaging weight and volume to improve filling rates and save energy for shipping.

Materials

32% recycled content by weight.

90% recycled cardboard and **30%** recycled LDPE film (Low Density Polyethylene) in packaging.

Water-based inks without solvent on packaging.

Production

ISO 14001/ EMAS certification of the Rosenheim site (Germany).

Powder coat painting: VOC-free and free of heavy metals.



You require official certifications. We can deliver them.

PEP **Product Environmental Profile (PEP)**. Based on ISO/TR 14025, its purpose is to communicate precise and verifiable information about a product's impact on the environment at all stages of its life cycle.

Blauer Engel. This German environmental certification is awarded to products with a low environmental impact.

PEFC. The wooden components are PEFC certified (Programme for the Endorsement of Forest Certification), ensuring that wood originates from sustainably managed forests.

E1. The particle boards comply with the "E1 standard" guaranteeing a low level of formaldehyde emissions.

You care about the end of use of your furniture. We offer options - be it refurbishing, charitable donation or recycling.

Visit steelcase.com to discover more about Steelcase's unique ecodesign strategy.